

Fig. 1
Before you start, ensure that all tread surfaces are clean, dry and free from uneven surface defects. These can be sanded away if necessary.

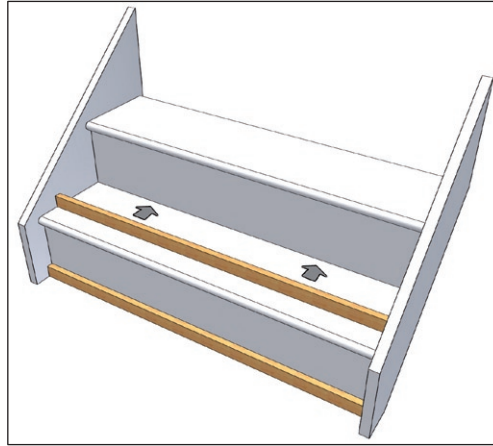


Fig. 2
Measure the existing bullnose protrusion, from the face of the riser to the outer most point of the bullnose. Using this measurement cut some packing strips down to size, and screw these into place onto all of the existing risers.

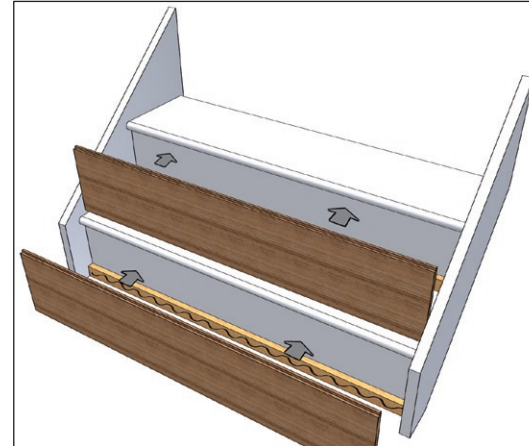


Fig. 3
Cut two KLAD risers down to size, then glue them into place onto the packing strip. This is temporary holding fix as the risers will be held in place by the treads.

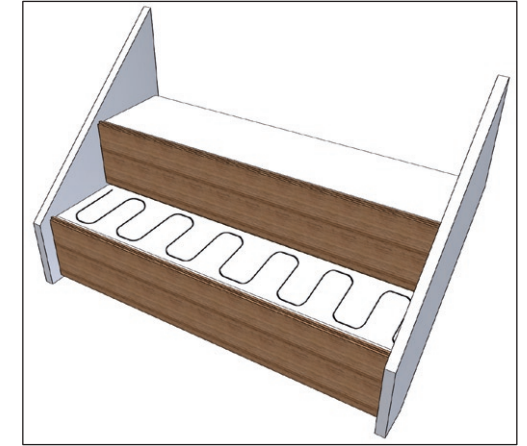


Fig. 4
Now apply plenty of the Polymer Adhesive to the existing tread, making sure you apply an even bead of adhesive to the tread.

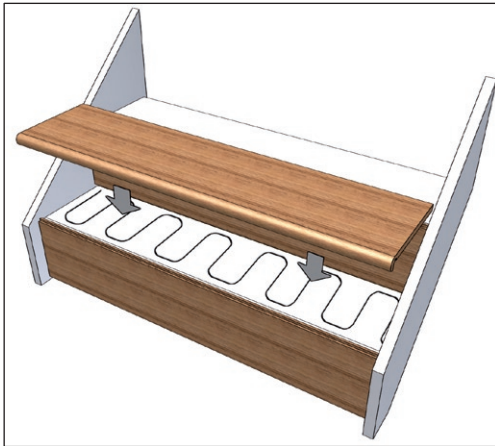


Fig. 5
Take a KLAD tread and cut down to the appropriate size, then lay into position and firmly press down ensuring the lip and recess fit together snugly.

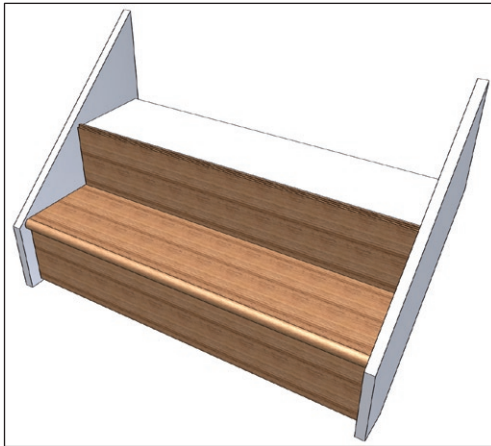


Fig. 6
The first tread assembly should look like this, and now continue up the stairs fitting a riser first followed by the tread.

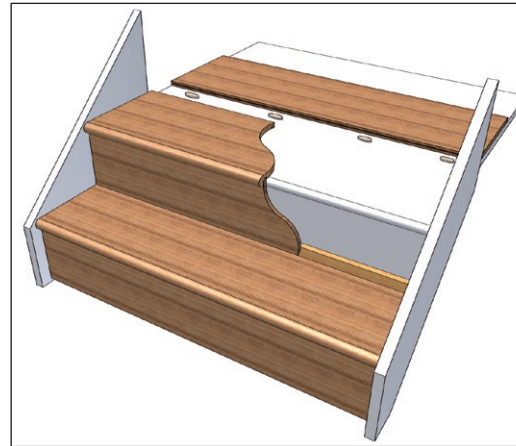


Fig. 7
If you have an intermediate landing or larger than average treads (e.g. kite winders), you can use the KLAD Tread Extension with jointing biscuits to extend a KLAD Tread. Position the jointing biscuits no more than 15-20cm apart.

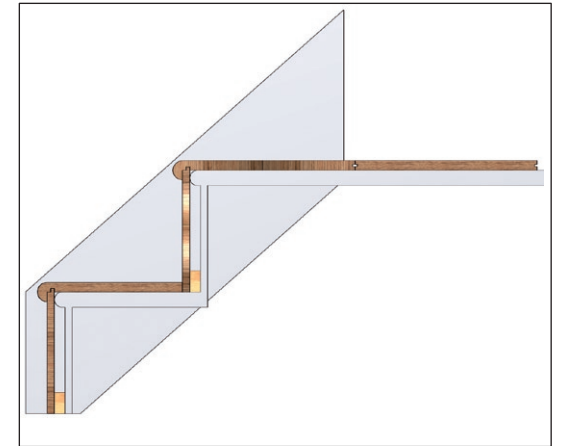


Fig. 8
General side view of KLAD system assembly