

Installation Instructions

Push Pad Emergency Exit Device EN179



IMPORTANT INFORMATION


PLEASE READ THESE INSTRUCTIONS CAREFULLY

Door – Maximum specification of door on which this product should be fitted.

- Maximum weight of door = 200kg
- Maximum width of door = 1300mm

This product is designed for peoples safety and complies with EN179. **DO NOT** modify the product in anyway other than those outlined in these instructions.

This product is non handed and can be fitted on both left and right handed single doors
For internal use only.

	Eurospec Architectural Hardware Stancliffe Street, Mill Hill Blackburn BB2 2QR
1121 – AB 0030	07
EN179:1997+A1:2001	3 7 6 1 1 3 2 2 B

Installation

1. At a height of 1000mm +/- 100mm, mark the door at a measurement of 55mm from the edge of the door frame. This distance is the centre line of the spindle hole. **See Diagrams 1 & 3.**

2. Detach Mounting Plate from Push Pad unit by using allen key provided to remove the two screws. **See diagram 2.**

Slide mounting plate to disconnect from main body

3. Drill four small pilot holes for mounting plate and one further 25mm diameter hole for follower. The 25mm hole needs to be 15mm deep to accept the follower.

Refer to **Diagram 3** for the position and dimensions of holes. All dimensions are in mm.



Note: Diagram 3 is not a template.

If fitting an External Locking Attachment, drill a 3mm diameter spindle hole through the door. This will be centre line point for installing External Locking Attachment.

The External Locking Attachment requires to be fitted using it's relevant fitting instructions at this stage and the 25mm spindle hole for the Push Pad needs to be drilled through the door.

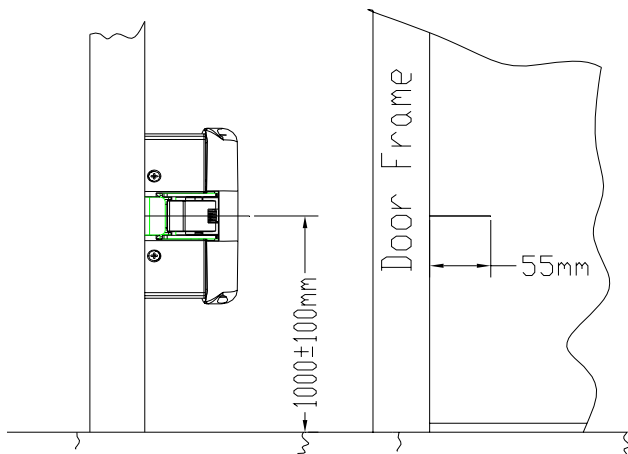


Diagram 1

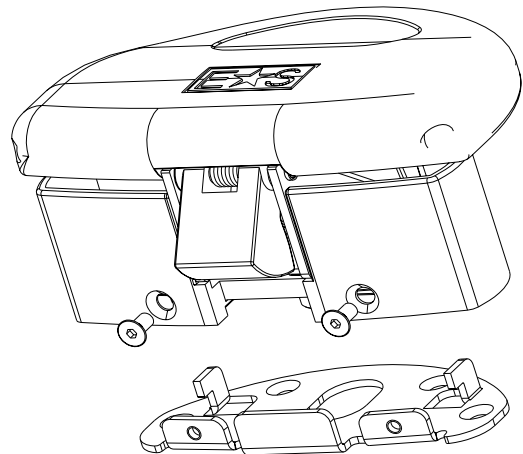


Diagram 2

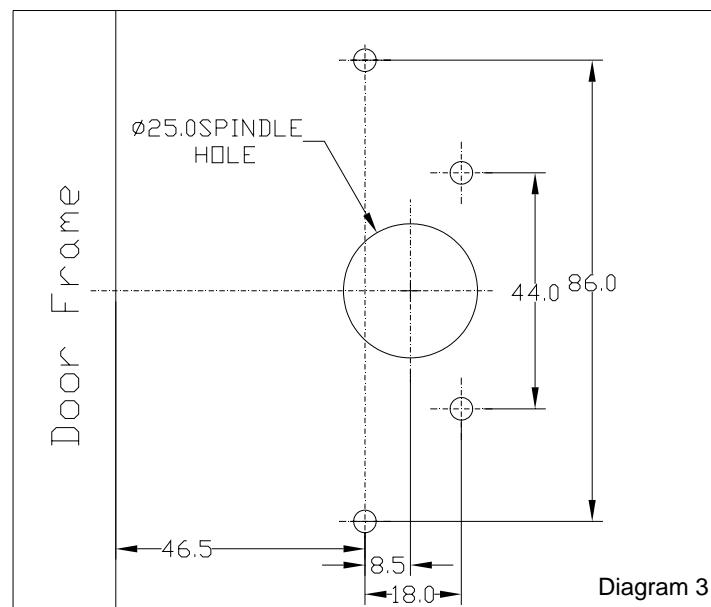


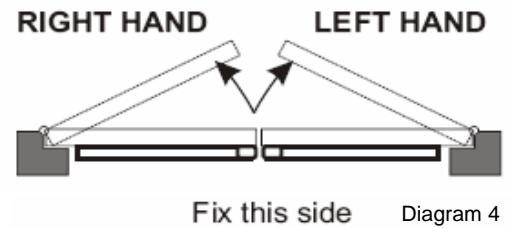
Diagram 3

Note: If External Locking Attachment is not required, please proceed to step 5.

4. Identify correct door handing, **See Diagram 4** and prepare spindle rotation as follows:

Right Hand door, rotate follower fully “clockwise”.

Left Hand door, rotate follower fully “anti-clockwise”.



5. Securely screw Mounting Plate to door using the four pre-drilled pilot holes. **See Diagram 5.**

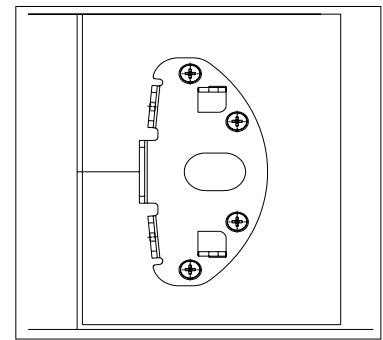


Diagram 5

6. Refit Push Pad on the Mounting Plate and secure with two screws removed earlier. **See Diagram 6.**

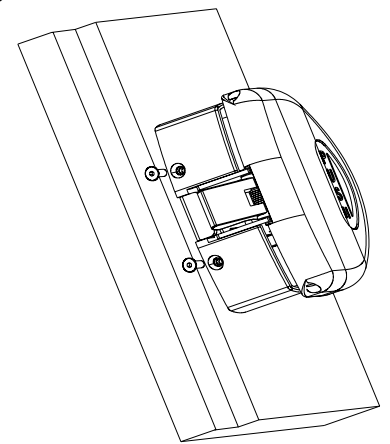


Diagram 6

7. With door in closed position, hold Striker on the door frame and move it until it touches the latch bolt. **See Diagram 7.**

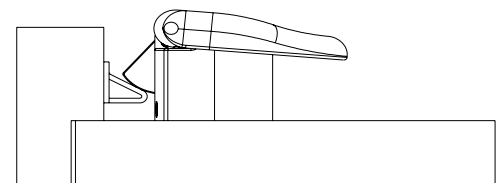


Diagram 7

Mark frame for relevant fixing holes.



Note: The straight edge of the striker plate faces the door

8. Open the door and fit the top and bottom screws **see Diagram 8**, then close door to ensure Striker is correctly positioned.

Adjust if necessary and fit the centre screw to the middle of the striker. **See Diagram 8**

9. Stick the LH or RH Photo Luminescent PUSH sign in the recess of Push Pad. **See Diagram 9.**

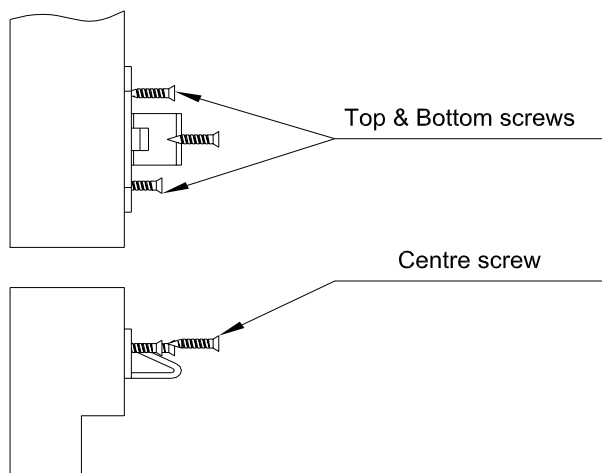


Diagram 8

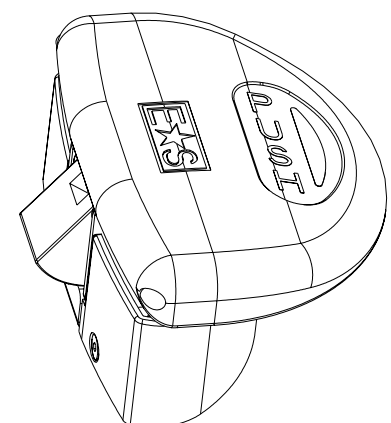


Diagram 9

Final Checks

Once Installation is completed, check Push Pad for correct operation.

To test this, apply pressure to the door and release it using Push Pad.

Operational Instructions

This Push Pad is fitted to comply with EN179. No instruction of operation is required.

Maintenance

Ensure all fixing screws are secure and that the striker is clean and free from obstruction. Check Push Pad operates correctly.

PLEASE LEAVE THESE INSTRUCTIONS WITH THE END USER



Stancliffe Street
Mill Hill
Blackburn
BB2 2QR
Tel: +44 (0) 1254 274100
Fax: +44 (0) 1254 274111
www.eurospec.co.uk