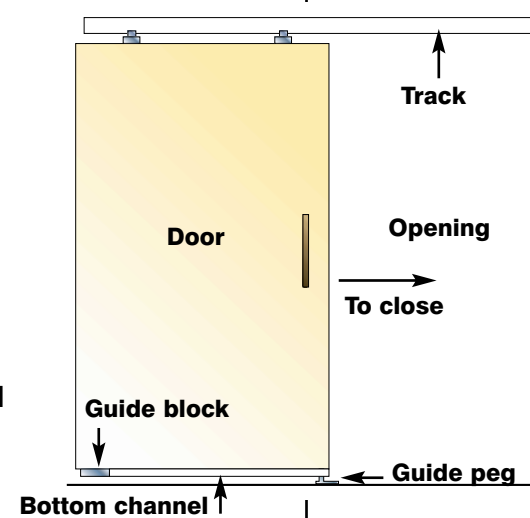
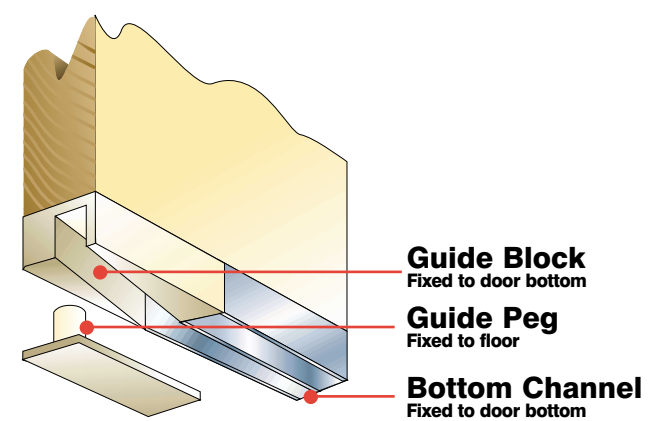
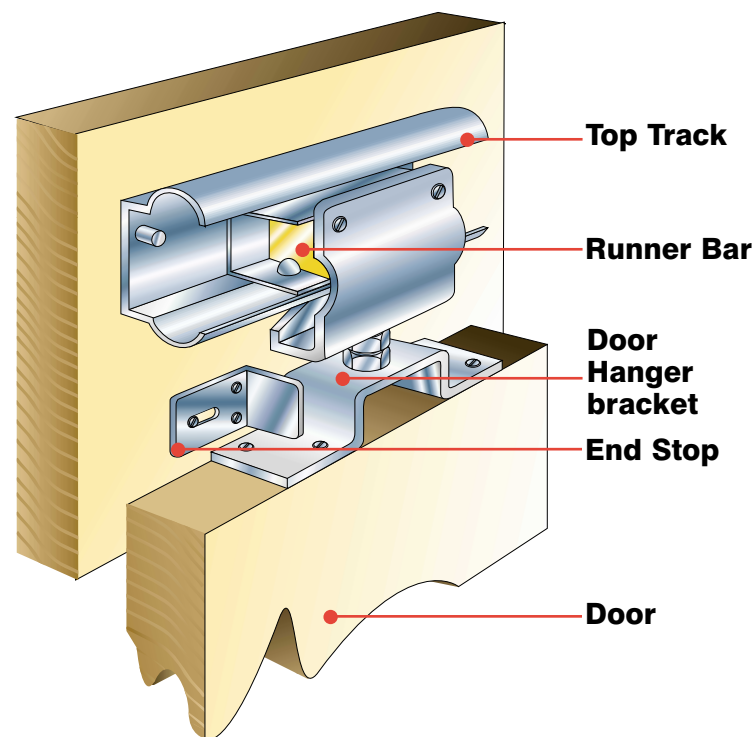


WHICH SLIDING DOOR KIT DO YOU NEED?

BALL RACE SLIDING DOOR GEAR



USE BALL RACE FOR

- Highly durable - Smooth running action
- Converting an existing internal hinged door to a sliding door.
- Fitting an internal sliding door to an existing opening.
- Doors up to 2'6" (762mm) use 2'6" kit.
- Doors up to 3'0" (914mm) use 3'0" kit.
- Max. door weight 35kg (77lbs) Min. door thickness 22mm (7/8").

The Ball Race system should not be cut down to lengths in between the above measurements. If your door opening is smaller than 3'0" but larger than 2'6" buy the 3'0" kit and position the endstops included in the kit to allow the door to open/close in the correct position.

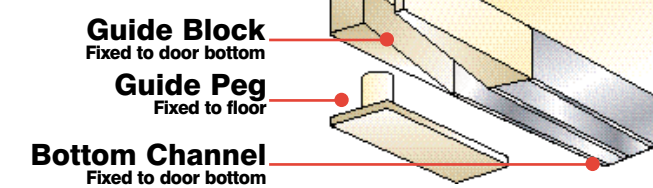
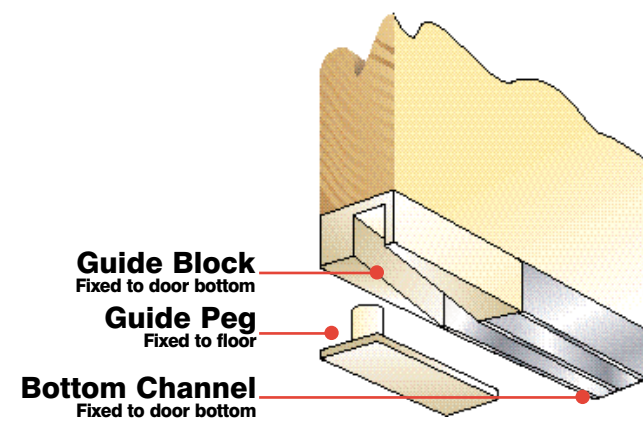
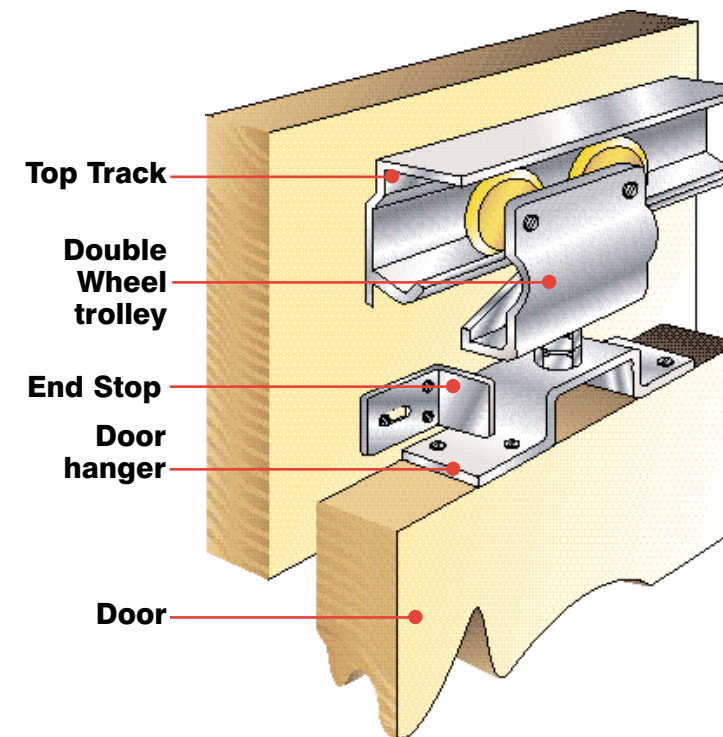
KIT CONTAINS

1 top track assembly incl. runner bar, 2 hangers, 1 guide peg, 2 guide blocks, 2 end stops, 1 bottom channel, fixing screws, nuts and bolts.

TOOLS REQUIRED

Screwdriver, 10mm spanner, Hacksaw, Marker, Drill, Tape measure.

DOUBLE WHEEL TYPE SLIDING DOOR GEAR



USE DOUBLE WHEEL TYPE FOR

- Converting an existing internal hinged door to a sliding door.
- Fitting an internal sliding door to an existing opening.
- Doors up to 3'0" (914mm) use one 3'0" kit, for narrower doors cut track to suit.
- Double doors 2 x 3' (914mm) buy 2 kits.
- Max door weight 30kg (66lbs).
- Min door thickness 22mm (7/8").

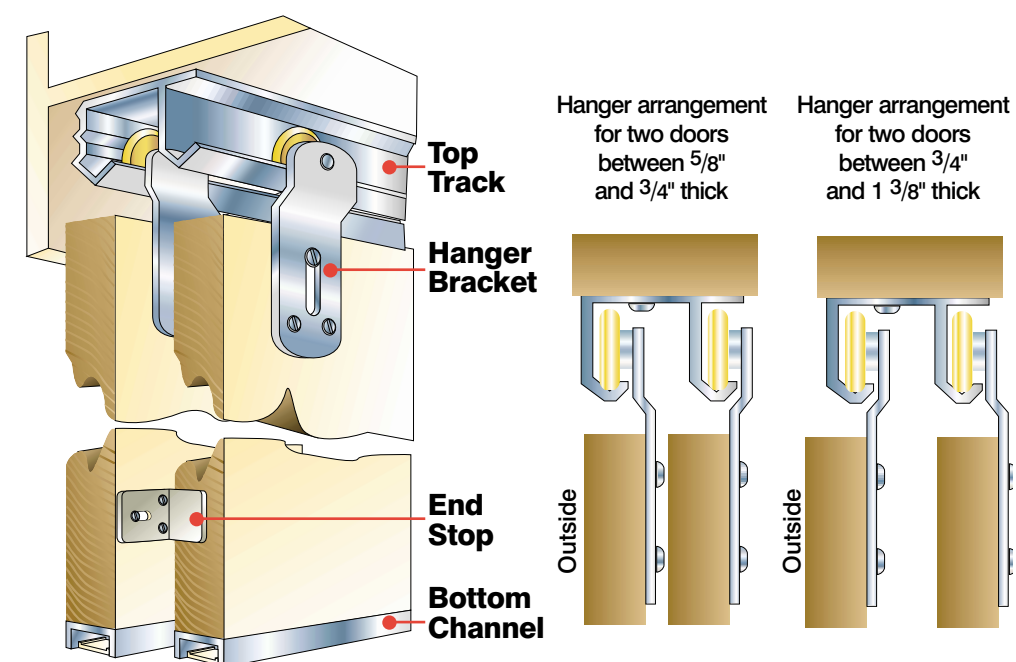
KIT CONTAINS

1 top track assembly, 2 trolleys, 2 hangers, 1 guide peg, 2 guide blocks, 2 end stops, 1 bottom channel, fixing screws, nuts and bolts.

TOOLS REQUIRED

Screwdriver, 10mm spanner, Hacksaw, Marker, Drill, Tape measure.

WARDROBE GEAR NO 1



USE WARDROBE GEAR NO 1 FOR

- Fitting two or more doors to bypass each other.
- Doors whose Max weight does not exceed 10kg (22lbs). Total weight of ALL doors not to exceed 20kg (44lbs).
- Min Door thickness 16mm (5/8") - Max 35mm (1 3/8").
- Max door height 2.19m (7'6").

If necessary, buy a size larger than your door opening, and cut track to size.

KIT CONTAINS

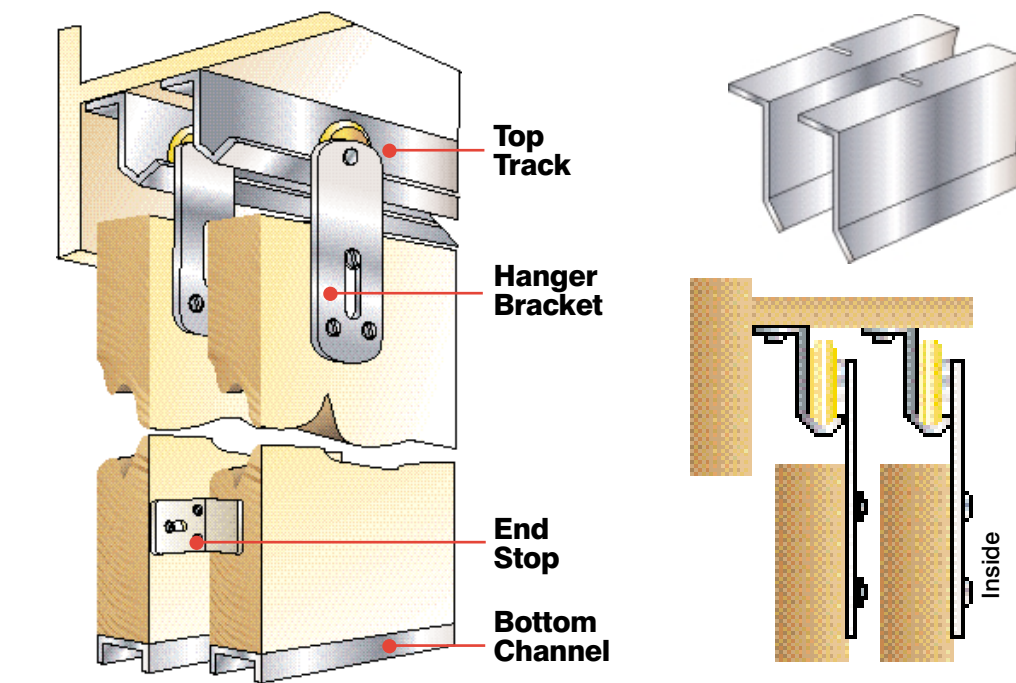
1 top track, 4 hangers, 2 nylon floor guides, 1 end stop, 2 pull handles, 1 bottom channel, fixing screws and nails.

Extra fittings for fitting more than two doors are available. (SS1)

TOOLS REQUIRED

Screwdriver, Hacksaw, Marker, Drill, Tape measure, Hammer.

WARDROBE GEAR NO 2



USE WARDROBE GEAR NO 2 FOR

- Fitting two or more doors to bypass each other
- Doors whose Max weight per track 20kg (44lbs).
- Door thickness minimum 16mm (5/8") - no maximum.
- Max door height 2.19m (7'6"). Max door width 1.22m (4ft)

If necessary, buy a size larger than your door opening, and cut track to size.

KIT CONTAINS

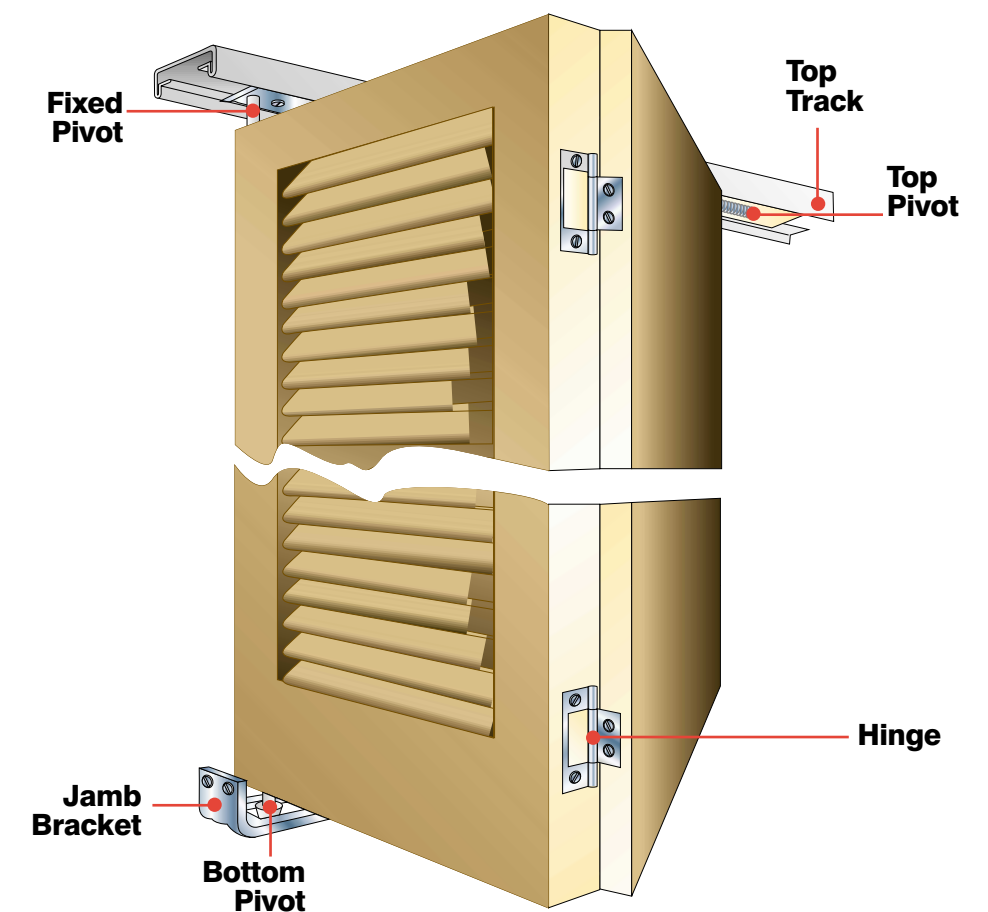
2 top tracks, 4 hangers, 2 nylon floor guides, 1 end stop, 2 pull handles, 1 bottom channel, fixing screws and nails.

Extra fittings for fitting more than two doors are available. (SS2)

TOOLS REQUIRED

Screwdriver, Hacksaw, Marker, Drill, Tape measure, Hammer.

FOLDING DOOR GEAR



USE FOLDING DOOR GEAR FOR

- Fitting doors to fold either side of an opening.
- Doors max weight 15kg (33lbs) each.
- Doors from 1" (25mm) to 1 3/8" (34mm) thick.
- Doors up to 2ft (600mm) wide.

3ft kits suitable for 2 doors, 4ft kits suitable for 2 or 4 doors and kits over 4ft suitable for 4 doors only.

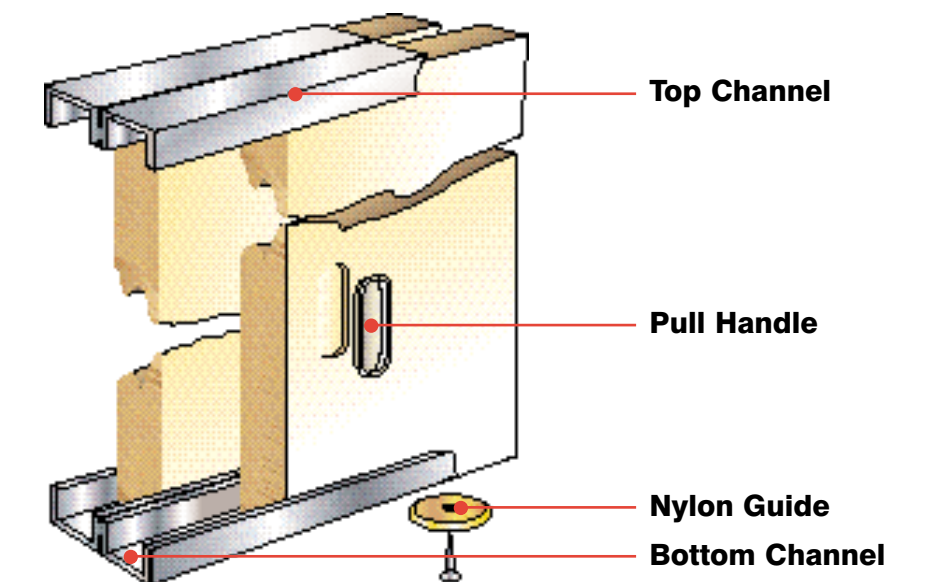
KIT CONTAINS

Top track including top pivot bracket, top & bottom pivots, jamb bracket(s), hinges, door aligner, fixing screws.

TOOLS REQUIRED

Screwdriver, Hacksaw, Marker, Drill, Tape measure, Hammer.

CUPBOARD DOOR GEAR



USE CUPBOARD DOOR GEAR FOR

- Fitting two or more cupboard doors to bypass each other.
- Doors up to 8sqft (2.4sqm)
- Doors max thickness 19mm (3/4")

KIT CONTAINS

1 top channel, 1 bottom channel, 4 nylon guides, 2 pull handles, fixing nails

TOOLS REQUIRED

Screwdriver, Hacksaw, Marker, Tape measure, Hammer.

STORMGUARD HELPLINE 01625 613311