

Installation and Operating Instructions External Locking Attachment



IMPORTANT INFORMATION

PLEASE READ THESE INSTRUCTIONS CAREFULLY

This product is designed to operate with Emergency and Panic Exit devices which are fitted to comply with EN1125 or EN179.

This product is non handed and can be fitted on both left and right handed doors.

Product Preparation

Prior to fitting, select correct hand of door, **See Fig. 1**, and prepare spindle rotation as follows:

Right Hand door, rotate follower fully “clockwise”. **See Fig. 2**

Left Hand door, rotate follower fully “anti-clockwise”. **See Fig. 2**

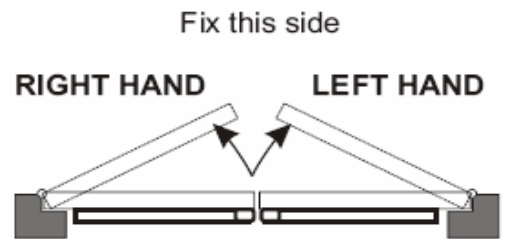
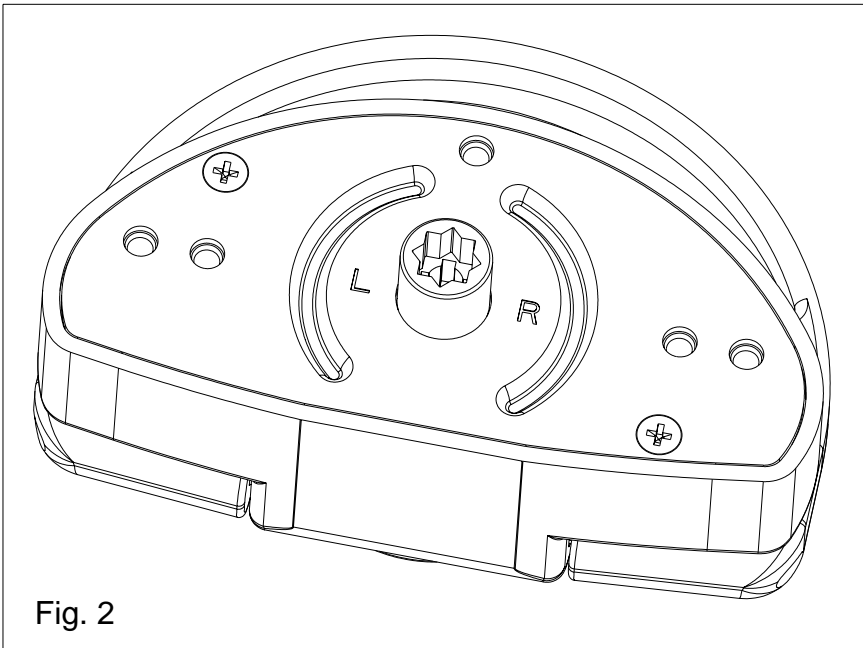


Fig. 1

Installation



Note: To fit this product with Eurospec Touchbar, see instructions on the next page.

For all other devices, including Eurospec Push Bar Panic Bolt, Push Bar Panic Latch, and Push Pad, please use the installation notes 1-4 below.

1. Ensuring the Follower centreline of External Locking Attachment is aligned with Follower centreline of the internal device, drill 3 x 6mm diameter holes for fixing bolts and 1 hole for spindle. The spindle hole size can vary depending upon device used. **See Fig. 3** for guidance. All measurements are in mm. **Note: Fig. 3 is not a template.**
2. Check that starting position and working rotation of the follower is correct for the hand of door.
3. Secure External Locking Attachment to the door. A selection of fixing bolts are supplied to suit different applications and door thicknesses
4. Cut the spindle provided accordingly to connect both Followers.

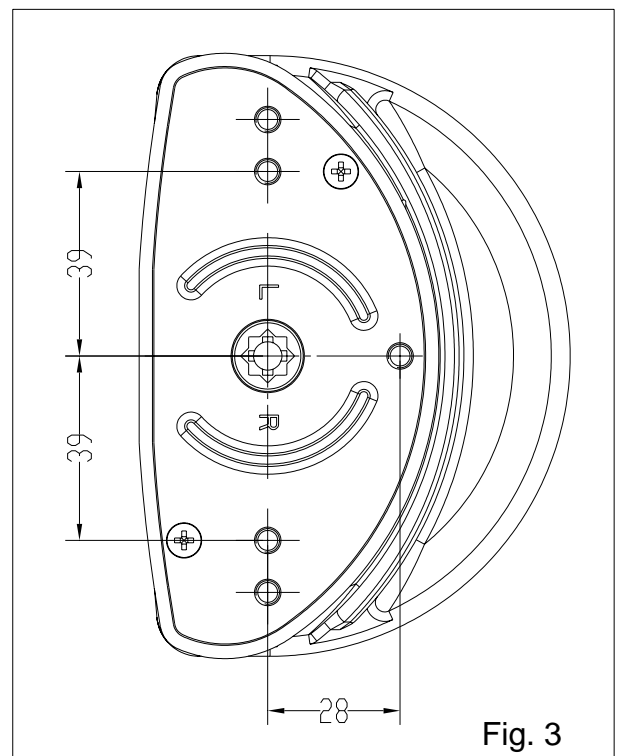


Fig. 3

Installation (with Eurospec Touchbar only)

1. Using the Touchbar top and bottom fixing points, drill 3 x 6mm diameter holes for fixing bolts.

See Fig.4 for guidance.

All measurements are in mm.



Note: Fig.4 is not a template.

2. Check that starting positions and working rotations of the two followers are correct for the hand of door.
3. Cut the spindle to the correct length to suit door thickness.
(Door thickness less 5mm)
4. Secure External Locking Attachment to the door using the rear fixing only and insert spindle.
5. Feed Touchbar onto spindle and secure using two remaining bolts. A selection of fixing bolts are supplied to suit different door thicknesses



Note: These bolts secure the unit through the top and bottom Touchbar fixing points.

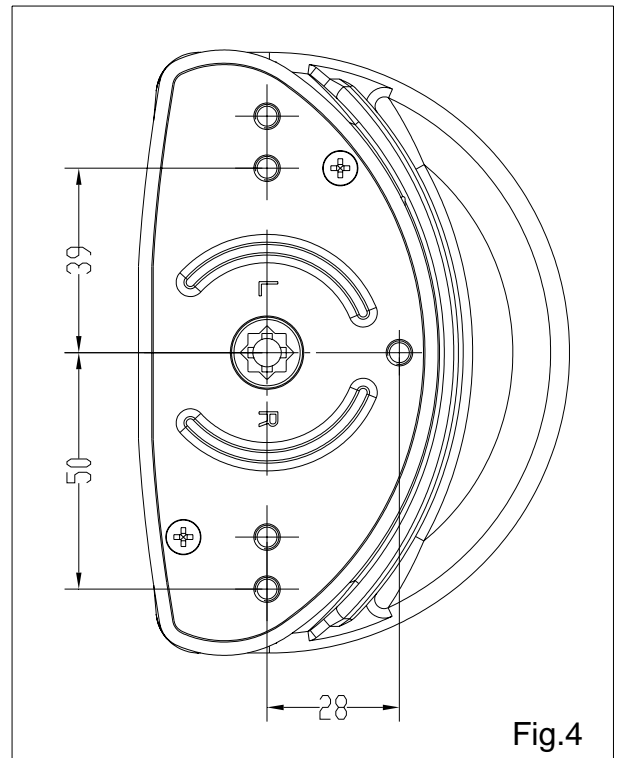


Fig.4

Operation

With External Locking Attachment in “Unlocked” position, pull handle to release internal device.

Lock and unlock External Locking Attachment as follows:

“Unlocked” position – Insert key, turn clockwise to stop, turn key back to starting point and withdraw.

“Locked” position – insert key, turn anti-clockwise to stop, turn key back to starting point and withdraw.

Note: With External Locking Attachment in “Locked” position, handle will pull but follower will not rotate.

Final Checks

Once installed, check External Locking Attachment for correct operation.

PLEASE LEAVE THESE INSTRUCTIONS WITH THE END USER



Stancliffe Street

Mill Hill

Blackburn

BB2 2QR

Tel: +44 (0) 1254 274100

Fax: +44 (0) 1254 274111

www.eurospec.co.uk